



JYOTI EQUIPMENTS

(AN ISO 9001 : 2008 CERTIFIED CO.)

*A Complete House Of
Commercial Kitchen &
Refrigeration Equipments*



Gemsco Advertising : 9911990094, 9868176361



JYOTI EQUIPMENTS

(AN ISO 9001 : 2008 CERTIFIED CO.)

Reg. Office : C-4 Metro Bazar, Near Nangloi Metro Station, New Delhi-110041,

Telefax : 25483013, Tel.: 011-64709352, Mobile : 9868429352, 9310429352, 9015559352

Works : Plot No. 3/7, Shed No. 39&40, Kirari Road Industrial Area, Delhi-110086. Tel.: 011-65269352

E-mail : jyotieqpt@gmail.com, jyotiequipments@rediffmail.com, sales@jyotiequipments.com

Website : www.jyotiequipments.com



About us...

Delivering Resolute And Matchless Solutions For All Kinds of Kitchen Needs

JYOTI EQUIPMENTS Company was established in 2005 by Mr. Satish, who possesses 18 years of experience in design, manufacture, supply, erection and commissioning of commercial kitchen equipment and Refrigeration equipments.

The company has everything technically advance it got well equipped plants and machinery with more than 25 skilled manpower & dedicated staff for designing and R & D. The company has got an area of 15000 square feet. Right from the beginning, the customers of high repute for whom cost was never an issue opted for our manufactured products. The company provides unmatched quality products to its valued customers. As a result, many of our customers have patronized us for all their requirements of kitchen equipments. Company is a manufacturer, specialist contractor, distributor and supplier of commercial refrigeration, institutional kitchen and food service equipment. A total service is provided to customer from consultation, planning and designing of their food service facilities, to fabrication, import, supply installation and servicing of equipment

We are effectuate to manufacturing of custom made kitchen equipment on the basis of customer needs, budget and delivery schedule thereby achieving satisfaction of the client. We are the youngest and amongst the firms in the country which provide turnkey services for commercial kitchens. We are dedicated establishment exclusively dealing with the complete range of food service equipment, has been established by a knowledgeable group having complete and incomparable experience of the needs of the small, medium and Standard Establishments catering to small groups like bakeries doubling as eateries also, Medium sized eateries, Restaurants and large and Standard Hotels with a very large and fully satisfied clientele

The Main Stress which we give is on quality as we provide a premium quality of products to our customers because we want our customer should be fully satisfied by our products which he wants. The Proprietors of the Company scoured the world market, satisfying themselves of the quality of machinery brought out by the different manufacturers and thereafter entered into agreement with the manufacturers for sole distributorship in the country.

CONTENTS

World class quality:

Facilitating unbeatable quality standards. Jyoti Equipment's splendid range of equipments are manufactured exclusively to deliver high-end results to satisfy their valued clients.

The vogue effect:

It's just not the core, but the shell too. Jyoti Equipment promises innovative designs and ideas to give you the best, giving your business the perfect curve.

Value for money:

Functioning on the principles of 'value for money', all our ranges justifies their cost and proves the value of every penny spent of yours by delivering unmatched performances.

Unmatched finishing:

All our products are passed through a series of professionalized super-visionary cycles to ensure world-class finish.

After-sales services:

Back-to-back endless after-sales services to make sure you don't fall back in the big league. Our proficient technicians are available at your door-steps to provide you with endless solutions to keep your products in the perfect condition.

03

COOKING
EQUIPMENT



06

TABLES



07

SERVICE



08

COLD
EQUIPMENT



11

PREPARATION



12

WASHING
EQUIPMENT



14

STORAGE
EQUIPMENT



15

TROLLEYS



16

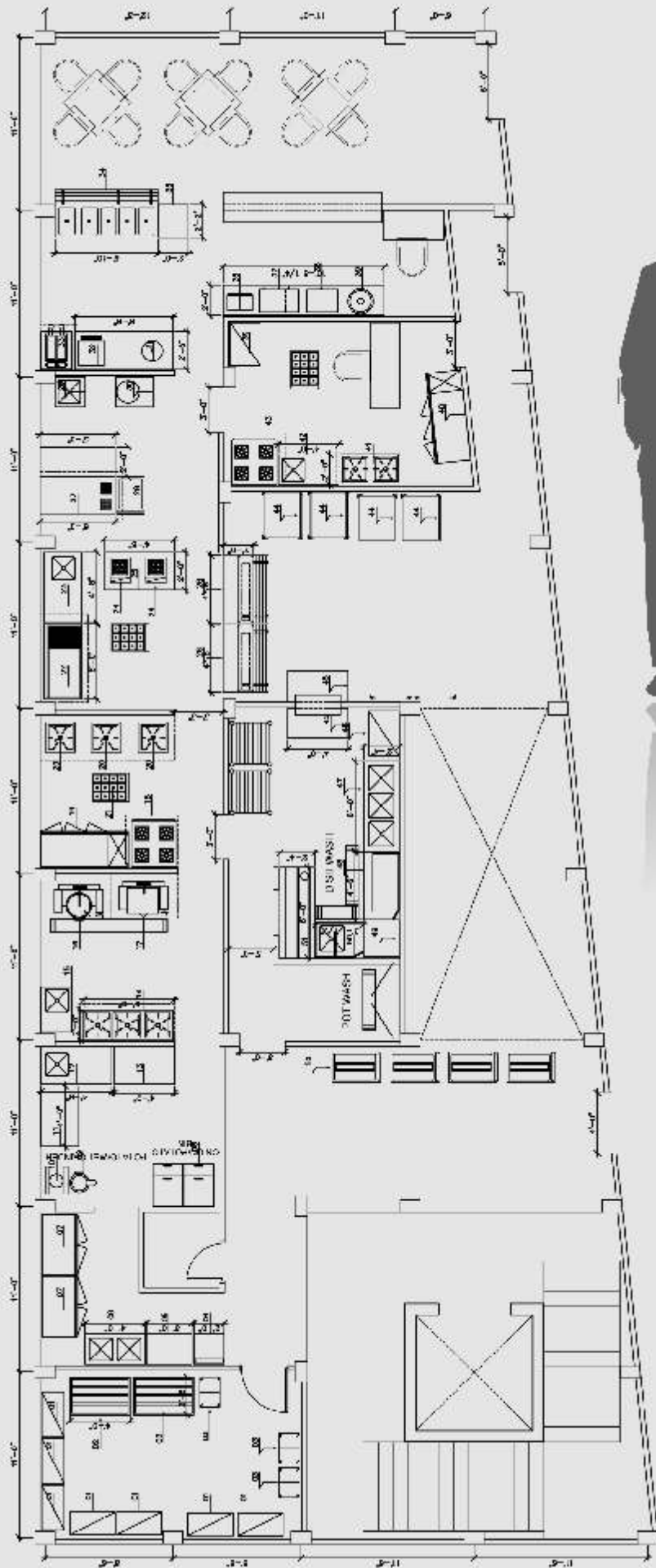
BAKERY
EQUIPMENT



17

EXHAUST &
FRESH AIR SYSTEM





Insight



Facilitating endless solutions to build your business better

Unmatched services to satisfy all your kitchen needs

World class quality grades at unbeatable price ranges



COOKING EQUIPMENT



FOUR BURNER RANGE WITH OVEN
ITEM CODE JE-01-C



THREE BURNER RANGE
ITEM CODE JE-02-C



TWO BURNER RANGE
ITEM CODE JE-03-C



SINGLE BURNER
ITEM CODE JE-04-C



CHINESE GAS RANGE
ITEM CODE JE-05-C



CHAPATI PLATE WITH PUFFER
ITEM CODE JE-06-C



CHAPATTI MAKING MACHINE

ITEM CODE JE-07-C



PIZZA OVEN

ITEM CODE JE-08-C



TANDOOR

ITEM CODE JE-09-C



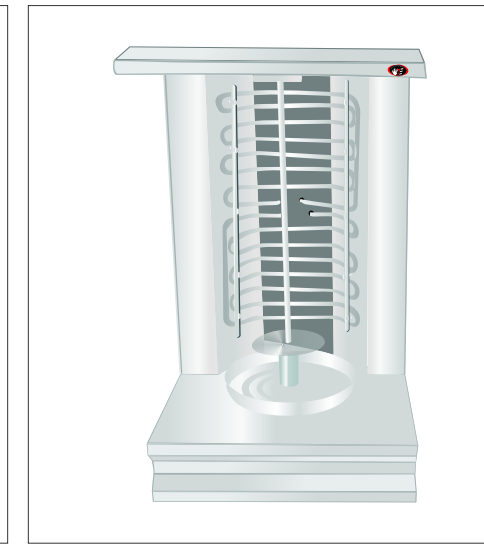
IDLY STEAMER

ITEM CODE JE-16-C



SALAMANDER

ITEM CODE JE-17-C



SHAWARMA MACHINE

ITEM CODE JE-18-C



CONVEYOR TOASTER

ITEM CODE JE-10-C



GRIDDLE PLATE/ TAWA

ITEM CODE JE-11-C



CHARCOAL GRILL

ITEM CODE JE-12-C



TABLE TOP DEEP FAT FRYER

ITEM CODE JE-19-C



DEEP FAT FRYER

ITEM CODE JE-20-C



SANDWICH GRILLER

ITEM CODE JE-21-C



SHALLOW FRYER

ITEM CODE JE-13-C



TILTING BULK COOKER

ITEM CODE JE-14-C



TILTING BRISNG PAN

ITEM CODE JE-15-C



FRENCH FRIES BAGGING STATION

ITEM CODE JE-22-C



TABLE TOP FRENCH FRIES BAGGING STATION

ITEM CODE JE-23-C



MOBILE ROOMALI ROTI

ITEM CODE JE-24-C



TABLE

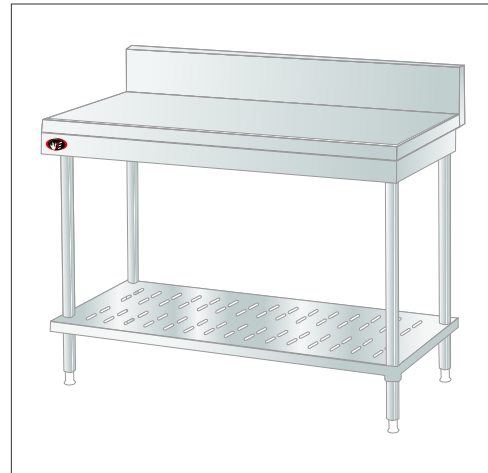


SERVICE EQUIPMENT



WORK TABLE COUNTER

ITEM CODE JE-01-T



CLEAN DISH TABLE

ITEM CODE JE-02-T



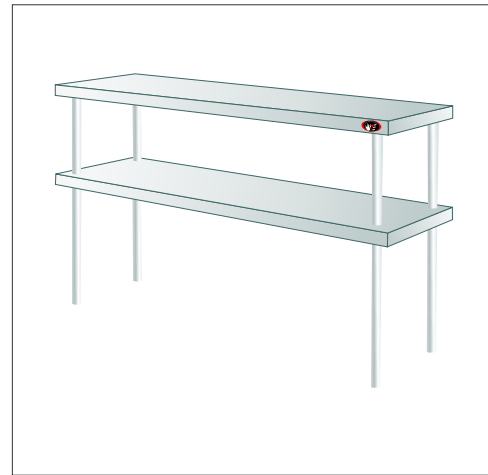
CLEAN DISH WITH 2 UNDER SHELVE

ITEM CODE JE-03-T



DINNING TABLE

ITEM CODE JE-04-T



OVERHEAD SHELVE

ITEM CODE JE-05-T



WORK TABLE WITH GRANITE TOP

ITEM CODE JE-06-T



TABLE WITH 2 UNDER SHELVE

ITEM CODE JE-07-T



TABLE WITH 1 UNDER SHELVE

ITEM CODE JE-08-T



HOT BAIN MARIE WITH TRAY SLIDE

ITEM CODE JE-01-S



GOLGAPPA COUNTER

ITEM CODE JE-02-S



TIKKI COUTNER

ITEM CODE JE-03-S



TEA COFFEE DISPENSER

ITEM CODE JE-04-S



MOMO'S COUNTER

ITEM CODE JE-05-S



TEA SNACKS TROLLEY

ITEM CODE JE-06-S



PLATE WARMER

ITEM CODE JE-07-S



SWEET CORN COUNTER

ITEM CODE JE-08-S



BAR BE QUE WITH HOOD

ITEM CODE JE-09-S

COLD EQUIPMENT



DISPLAY COUNTER
ITEM CODE JE-01-CO



PASTRY COUNTER
ITEM CODE JE-02-CO



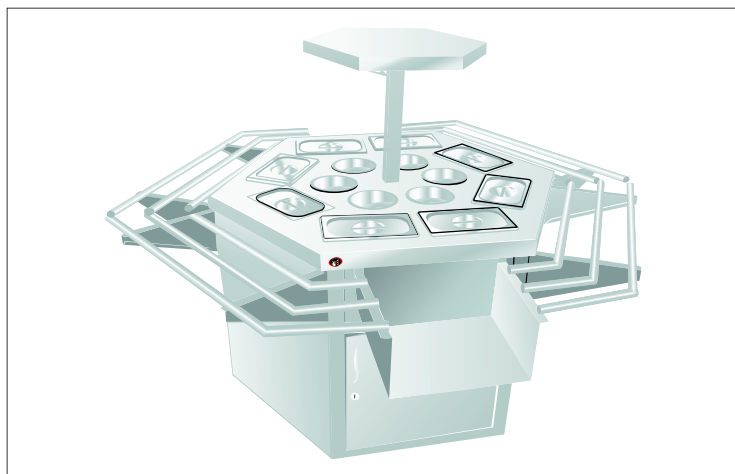
BENCH TOP FREEZER
ITEM CODE JE-03-CO



PANTRY FRIDGE
ITEM CODE JE-04-CO



SALAD COUNTER
ITEM CODE JE-05-CO



SALAD COUNTER
ITEM CODE JE-06-CO



KULFI COUNTER
ITEM CODE JE-07-CO



UNDER COUNTER REFRIGERATOR WITH OVER HEAD SHELF
ITEM CODE JE-08-CO



FOUR DOOR REFRIGERATOR
ITEM CODE JE-09-CO



DISPLAY REFRIGERATOR
ITEM CODE JE-10-CO



TWO DOOR REFRIGERATOR
ITEM CODE JE-11-CO



WATER COOLER
ITEM CODE JE-01-CO



MINI FRIDGE
ITEM CODE JE-12-CO



ICE CUBE MACHINE
ITEM CODE JE-13-CO



BACK BAR THREE DOOR

ITEM CODE JE-14-CO



BAR STATION

ITEM CODE JE-15-CO



BACK BAR TWO DOOR

ITEM CODE JE-16-CO



BACK BAR DISPLAY COUNTER

ITEM CODE JE-17-CO



COLD ROOM

ITEM CODE JE-18-CO



BAR BLENDER STATION

ITEM CODE JE-19-CO



PREPARATION



DOUGH KNEADER

ITEM CODE JE-01-P



TILTING WET GRINDER

ITEM CODE JE-02-P



VEGETABLE WASHER

ITEM CODE JE-03-P



VEGETABLE CUTTING MACHINE

ITEM CODE JE-04-P



MEAT MINCER

ITEM CODE JE-05-P



MEAT SLICER

ITEM CODE JE-06-P



WET GRINDER

ITEM CODE JE-07-P



PULVIRIZER

ITEM CODE JE-08-P



POTATO PEELER

ITEM CODE JE-09-P



WASHING EQUIPMENT



HAND WASH FOOT OPERATED

ITEM CODE JE-07-W



HAND WASH SINK WALL MOUNTED

ITEM CODE JE-08-W



POT RACK

ITEM CODE JE-09-W



DISH LANDING TABLE

ITEM CODE JE-01-W



DISH LANDING WITH GLASS RACK

ITEM CODE JE-02-W



THREE SINK UNIT

ITEM CODE JE-03-W



ITEM CODE JE-10-W CONVEYOR DISH WASHER



TWO SINK UNIT

ITEM CODE JE-04-W



POT WASH SINK

ITEM CODE JE-05-W



TABLE WITH SINK

ITEM CODE JE-06-W



ITEM CODE JE-11-W HOOD TYPE DISHWASHER

STORAGE EQUIPMENT



TROLLEYS



ATTA / MAIDA BIN

ITEM CODE | JE-01-ST



WALL CABINET

ITEM CODE | JE-02-ST



SS DUNNAGE RACK

ITEM CODE | JE-03-ST



WALL MOUNTED POT SHELF

ITEM CODE | JE-04-ST



WALL MOUNTED POT RACK

ITEM CODE | JE-05-ST



PLATE RACK

ITEM CODE | JE-06-ST



ONION / POTATO BIN

ITEM CODE | JE-07-ST



STORAGE RACK

ITEM CODE | JE-09-ST



STORAGE RACK

ITEM CODE | JE-09-ST



BUSSING CART

ITEM CODE | JE-01-TR



MASALA TROLLEY

ITEM CODE | JE-02-TR



PLATFORM TROLLEY

ITEM CODE | JE-03-TR



INSTRUMENT TROLLEY

ITEM CODE | JE-04-TR



FOOD TRANSPORT TROLLEY

ITEM CODE | JE-05-TR



TRAY SLIDE TROLLEY

ITEM CODE | JE-06-TR



ROLL CAGE PARCEL TROLLEY

ITEM CODE | JE-07-TR



GARBAGE BIN TROLLEY

ITEM CODE | JE-08-TR



HOT FOOD TROLLEY

ITEM CODE | JE-09-TR



BAKERY EQUIPMENT



EXHAUST & FRESH AIR SYSTEM



ROTARY OVEN
ITEM CODE JE-01-B



THREE DECK BAKING OVEN
ITEM CODE JE-02-B



BREAD SLICER
ITEM CODE JE-03-B



ITEM CODE JE-01-EX EXHAUST HOOD



TABLE TOP DOUGH SHEETER
ITEM CODE JE-04-B



DOUGH SHEETER
ITEM CODE JE-05-B



PROVING CHAMBER
ITEM CODE JE-06-B



ITEM CODE JE-02-EX DUCTING SYSTEM



ITEM CODE JE-03-EX EXCEL EXHAUST FAN



PLANETARY MIXER
ITEM CODE JE-07-B



SPIRAL MIXER
ITEM CODE JE-08-B



BUN DIVIDER
ITEM CODE JE-09-B



ITEM CODE JE-04-EX FRESH AIR CENTRIFUGAL BLOWER UNIT



ITEM CODE JE-05-EX CENTRIFUGAL BLOWER